

SPECIFICATIONS

Material: E-SEELS — Silicone rubber polymer type ASTM D 1418

Mounting Nut: E-SEELS: ALUMINUM INSERT

Temperature Range: E-SEELS: -80°F to +400°F

Pressure Range: Exceeds 15 psi internal and 1500 psi external.
(N5032B: 10 psi)

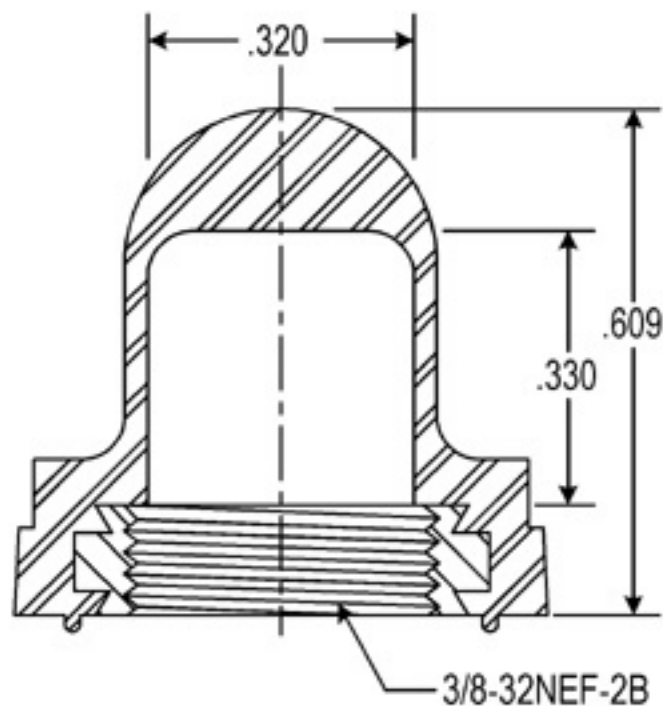
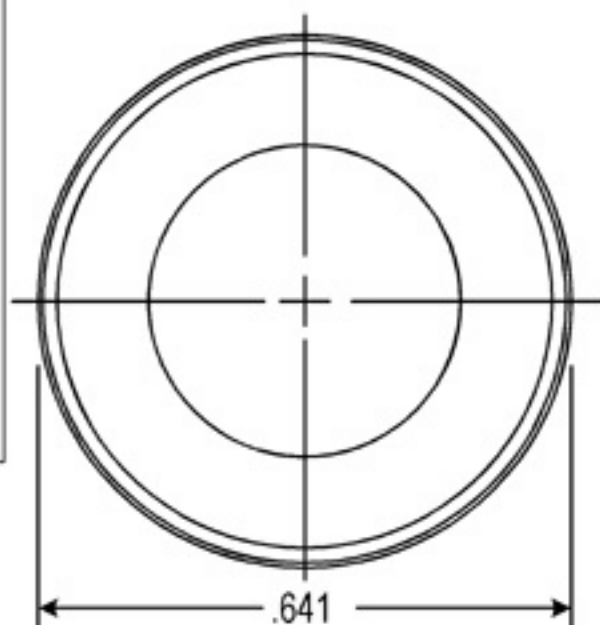
Operational Life: 50,000 actuations (minimum).

Shelf Life: Excess of 25 years.

Resistant to: Salt spray, sunlight, ozone, weather, fungus, and most acids and lubricating oils

Agency Recognition: E-SEELS and HEXSEALS are UL-listed to UL Std. 50 types 1-13, and meet CSA standards.

Installation: If a reducing adaptor is required – see page 14 of HEXSEAL catalog HEX200 for part numbers and drawing.



A		CAD COMPUTER GENERATED		9/23/02	
REV.	DESCRIPTION			DATE	
MAXIMUM AND MINIMUM MEASUREMENTS ARE STATED DIRECTLY ON EACH DIMENSION.		TITLE:	BOOT-PLUNGER (C1221/23)	ENG.	
MAT'L: SILICONE RUBBER ASTM D 1418				DWN.	CARBONE
FINISH: CLEAR		APM-HEXSEAL CORPORATION		CHKD.	NICK
		SCALE	4:1	DWG. NO.	(C1221/23) E-SEEL®

THIS DRAWING COVERS PROPRIETARY ITEM AND IS THE PROPERTY OF THE APM-HEXSEAL CORPORATION.
THIS DRAWING IS NOT TO BE COPIED OR USED WITHOUT THE WRITTEN APPROVAL OF AN OFFICER OF THE APM-HEXSEAL CORPORATION.